



Interchangeable bases  
and lids create multiple  
size configurations  
**SEE NEXT PAGE**

**STRONGHOLD Cases from Gemstar** offer MIL-STD durability and airtight protection for high-value cargo. Featuring rotationally-molded double walls and thick corners STRONGHOLD is the choice for rugged, versatile and dependable protection.

**STRONGHOLD Standard Features**

- Rotationally molded, double-walled durability
- IP67 rated; watertight, airtight and dust-proof with automatic pressure relief valve
- Meets or exceeds MIL-STD 810F and meets military LLRC standards\*
- Recessed, heavy-duty black stainless steel hardware and spring-loaded bail handles
- Tongue & groove construction with gasket
- Interchangeable bases and lids in the series
- Interlocking, stackable design
- Non-water pooling design, even when inverted
- Choice of 10 standard colors
- Guaranteed Performance\*

\* See website for guarantee details, complete certifications and test procedures

**Dozens of Available Options**

- Custom foam inserts, foam material options and custom thermoformed inserts
- Shock mounts, hinged compartments and literature pockets
- Extension handles, edge casters and bottom caster wheels, including removable wheels
- Stenciling, graphics and metal or plastic engraved label plates
- Integrated padlock brackets
- Fire retardant resins available to meet V0 requirement of UL94 Flammability testing & MIL-STD-648 – Stacked Container Fire Test
- Case wall cutouts, build-to-plan configurations, custom testing and more

Contact your local Distributor or Sales Manager for more information, or visit **GemstarCases.com**

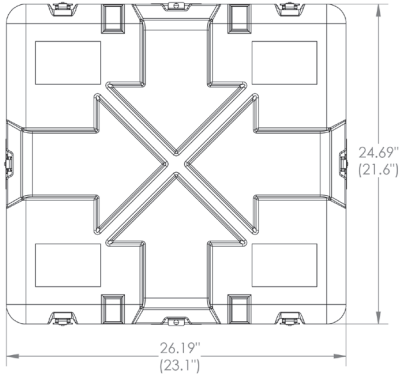


**New Sizes Update**



**STRONGHOLD®**  
SH2321 Series Specifications

**SH2321-1104, 1111 top profile**

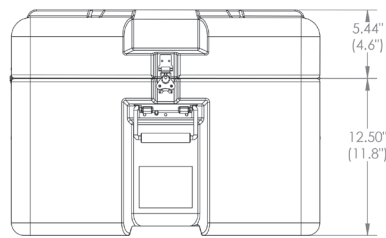
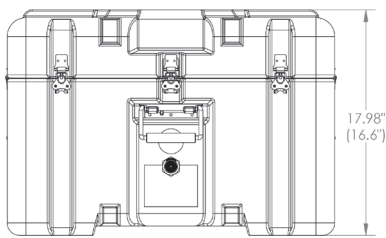


**MODEL NUMBER KEY**

**SH23 21-XXXX**

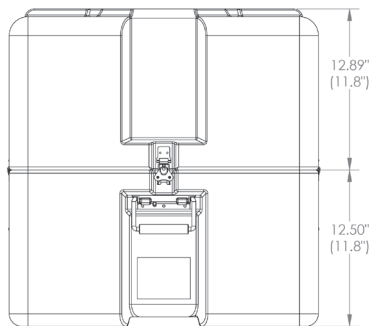
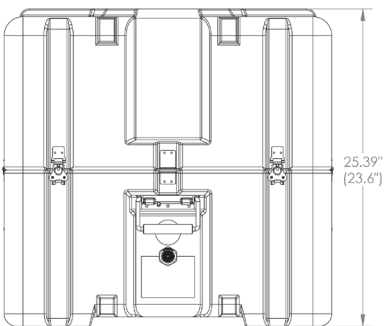
Length ————  
Width ————  
Lid ————  
Base ————  
Model numbers refer to interior dimensions

**SH2321-1104 side and end profile**



Nominal Interior Dimension	23.1"L x 21.6"W x 16.6"D
Base Depth	11.8"
Lid Depth	4.6" Hinged
Nominal Exterior Dimension	26.4"L x 24.4"W x 18.5"D
Approx. Weight	29.0 lbs.
Features	5 latches, 4 handles

**SH2321-1111 side and end profile**



Nominal Interior Dimension	23.1"L x 21.6"W x 23.6"D
Base Depth	11.8"
Lid Depth	11.8" Removable
Nominal Exterior Dimension	26.4"L x 24.4"W x 25.0"D
Approx. Weight	33.7 lbs.
Features	6 latches, 4 handles

Contact your local Distributor or Sales Manager for more information, or visit [GemstarCases.com](http://GemstarCases.com)



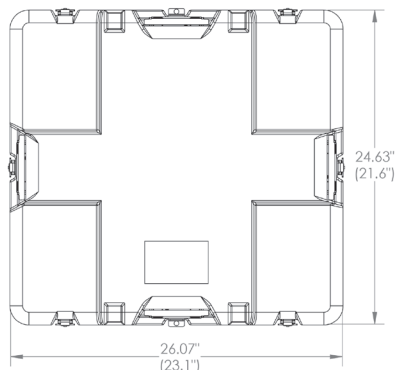
Gemstar Cases are proudly made in America.  
©2020 Gemstar Manufacturing

# New Sizes Update



# STRONGHOLD® SH2321 Series Specifications

## SH2321-0411 top profile



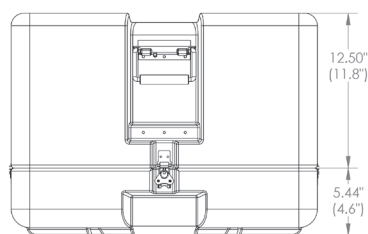
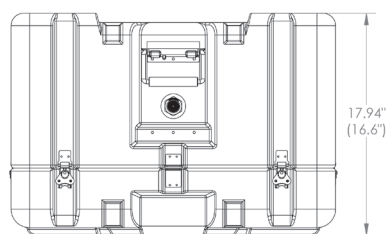
### MODEL NUMBER KEY

**SH23 21-XXXX**

Length  
Width  
Lid  
Base

Model numbers refer to interior dimensions

## SH2321-0411 side and end profile



Nominal Interior Dimension	23.1"L x 21.6"W x 16.6"D
Base Depth	4.6"
Lid Depth	11.8" Removable
Nominal Exterior Dimension	26.4"L x 24.4"W x 18.5"D
Approx. Weight	29.0 lbs.
Features	6 latches, 4 handles

Contact your local Distributor or Sales Manager for more information, or visit [GemstarCases.com](http://GemstarCases.com)



Gemstar Cases are proudly made in America.  
©2020 Gemstar Manufacturing