



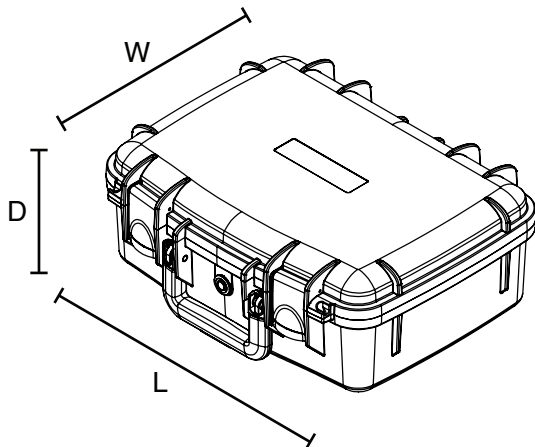
SENTINEL[®] Cases from Gemstar[®] are injection-molded cases engineered to deliver the ultimate protection for your most valuable assets—for sleek, lightweight protection that can stand up to any demand, choose SENTINEL.

Standard Features

- Injection molded construction
- Watertight, airtight, dustproof
- Automatic pressure relief valve
- Two molded-in padlock brackets
- EPDM gasket
- Military Grade Certification
- Stainless steel hardware
- Easy-open latches

Standard and Custom Options

- Offering a robust selection of custom features, colors, and sizes. For more information visit Gemstarmfg.com, or contact your local Distributor or Sales Manager.



Nominal INT Dimension	15.9"L x 11.2"W x 6.0"D 404L x 284W x 152D mm
Base Depth	4.5" 114 mm
Lid Depth	1.5" 38 mm
Nominal EXT Dimension	17.2"L x 13.7"W x 6.5"D 437L x 348W x 165D mm
Approx. Weight	5.8 lbs 2.6 kg
Features	<ul style="list-style-type: none"> • Overmolded handle • Easy-open latches (2)