



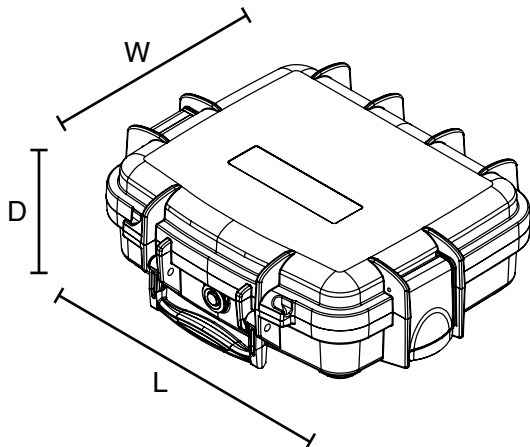
SENTINEL[®] Cases from Gemstar[®] are injection-molded cases engineered to deliver the ultimate protection for your most valuable assets—for sleek, lightweight protection that can stand up to any demand, choose SENTINEL.

Standard Features

- Injection molded construction
- Watertight, airtight, dustproof
- Automatic pressure relief valve
- Two molded-in padlock brackets
- EPDM gasket
- Military Grade Certification
- Stainless steel hardware
- Easy-open latches

Standard and Custom Options

- Offering a robust selection of custom features, colors, and sizes. For more information visit Gemstarmfg.com, or contact your local Distributor or Sales Manager.



Nominal INT Dimension	10.1"L x 8.2"W x 3.3"D 257L x 208W x 84D mm
Base Depth	2.1" 53 mm
Lid Depth	1.2" 30 mm
Nominal EXT Dimension	12.4"L x 10.3"W x 3.9"D 315L x 262W x 99D mm
Approx. Weight	2.5 lbs 1.1 kg
Features	• Easy-open latches (2)