

**GUARANTEED  
PERFORMANCE**



**ROBORACK Half-Rack Cases from Gemstar** offer MIL-STD durability and airtight protection for the most sensitive electronic components. Part of our STRONGHOLD line, these cases feature rotationally-molded double walls and thick corners for rugged, versatile, and dependable protection.

#### Standard Features

- Rotationally molded, double-walled durability
- Watertight, airtight and dust-proof with automatic pressure relief valve
- Meets or exceeds MIL-STD 810G and meets military LLRC standards\*
- Recessed, heavy-duty black stainless steel hardware
- Field serviceable hardware
- Spring-loaded handles
- Tongue & groove construction with gasket
- Interlocking, stackable design
- Fully removable lids that hang on the sides
- Edge wheels and an extendable pull handle
- Guaranteed Performance\*

\* See website for guarantee details, complete certifications and test procedures.

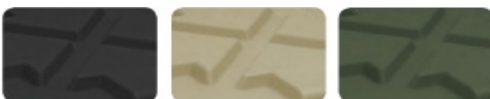
#### Standard Models

- SR1212-5U18

#### Standard and Custom Options

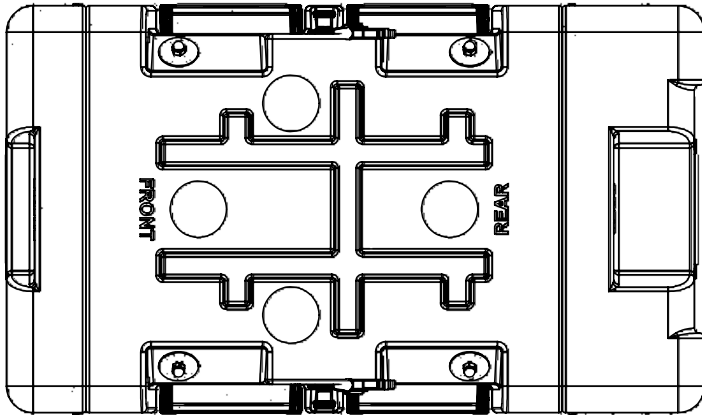
- Offering a robust selection of custom features, colors, and sizes. For more information visit [Gemstarmfg.com](http://Gemstarmfg.com), or contact your local Distributor or Sales Manager.

#### Standard Color Options\*\*



\*\* Colors are approximate and are for visual purposes only.

**SR1212-5U18 Top Profile**

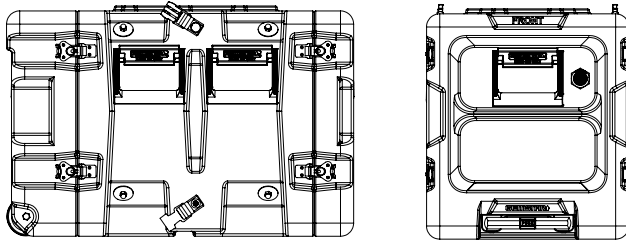


**MODEL NUMBER KEY**

**SR1212-5U18**

Height ————  
Width ————  
Rack Depth ————  
Rack Unit ————  
Model numbers refer to interior dimensions

**SR1212-5U18 Side and End Profile**



Nominal INT Dimension 23.5"L x 12.5"W x 12.9"H  
597L x 318W x 328H mm

Front Lid Depth 1.5"  
38 mm

Rear Lid Depth 3.5"  
89 mm

Nominal EXT Dimension 27"L x 15.2"W x 17.3"H  
686L x 386W x 439H

Rack Unit Information 5

Rack EXT Dimensions 18"L x 11.1"W x 11.65"H  
457L x 282 W x 296H mm

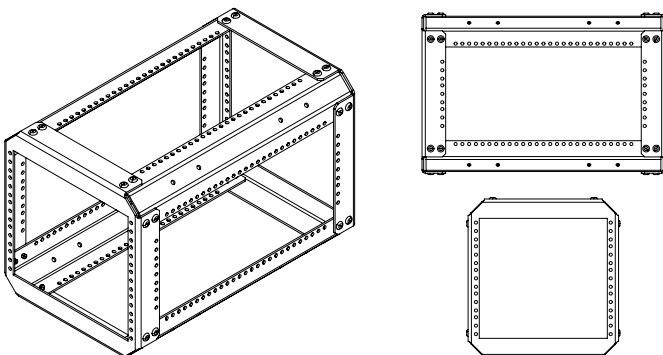
Rack INT Dimensions 17.75"L x 9.5"W x 8.88"H  
451L x 211W x 226H mm

Approx. Weight 34.5 lbs  
15.6 kg

Features

- Removable lids
- Spring-Loaded ABS Handles (SS optional)
- PRV

**SR1212-5U18 Rack**



**5U Rack**

Light weight aluminum rack