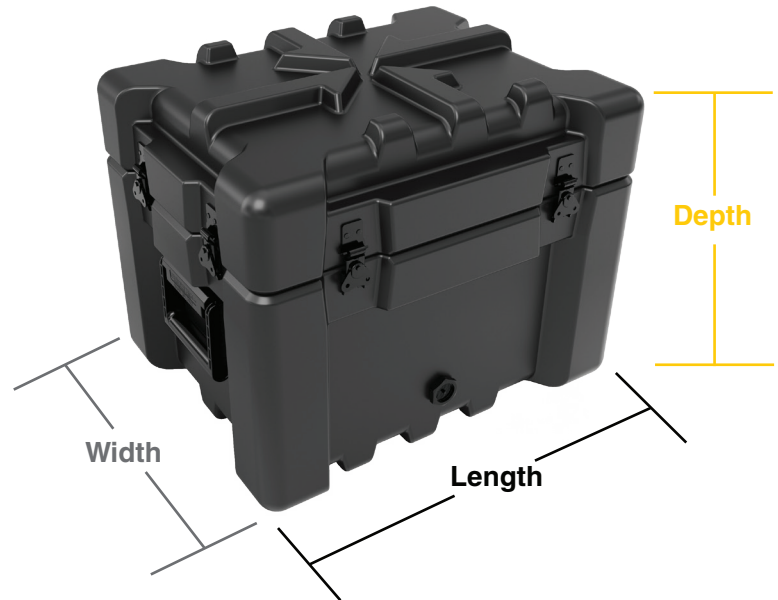


MODEL NUMBER KEY

SH **16** **12** - **11** **03**

Length ————
Width ————
Lid ————
Base ————
Measurements are taken from the most upper edge



MODEL	NOMINAL INTERIOR DIMENSION L x W x D*	BASE DEPTH*	LID DEPTH*	NOMINAL EXTERIOR DIMENSION L x W x D*	APPROX. WEIGHT
SH1212-0504	12.0" x 12.0" x 10.0" 304 x 304 x 252 mm	5.2" 131 mm	4.8" 121 mm	15.5" x 15.5" x 11.9" 393 x 393 x 302 mm	11.2 lb 5.1 kg
SH1309-0603	13.5" x 9.2" x 10.6" 342 x 233 x 268 mm	6.8" 172 mm	3.8" 96 mm	16.6" x 12.3" x 11.9" 421 x 312 x 302 mm	12.5 lb 5.7 kg
SH1414-1204	14.0" x 14.0" x 16.8" 355 x 355 x 426 mm	12.6" 320 mm	4.2" 106 mm	17.3" x 17.0" x 19.0" 439 x 431 x 482 mm	17.5 lb 7.9 kg
SH1609-1304	16.5" x 9.2" x 18.0" 419 x 233 x 456 mm	13.8" 350 mm	4.2" 106 mm	19.4" x 13.8" x 20.0" 492 x 350 x 508 mm	16.6 lb 7.5 kg
SH1612-0410	16.8" x 12.8" x 15.1" 426 x 325 x 382 mm	4.2" 106 mm	10.9" 276 mm	20.0" x 16.0" x 17.0" 508 x 406 x 431 mm	16.7 lb 7.6 kg
SH1612-1103	16.8" x 12.8" x 15.1" 426 x 325 x 382 mm	11.3" 287 mm	3.8" 96 mm	20.0" x 16.0" x 17.0" 508 x 406 x 431 mm	16.7 lb 7.6 kg
SH1612-1110	16.8" x 12.8" x 22.2" 426 x 325 x 563 mm	11.3" 287 mm	10.9" 276 mm	20.0" x 16.0" x 24.2" 508 x 406 x 614 mm	20.7 lb 9.4 kg
SH1616-0411	16.0" x 16.0" x 15.3" 406 x 406 x 387 mm	4.3" 108 mm	11.0" 279 mm	19.5" x 19.5" x 17.1" 495 x 495 x 434 mm	18.3 lb 8.3 kg
SH1616-1103	16.0" x 16.0" x 15.3" 406 x 406 x 387 mm	11.4" 289 mm	3.9" 98 mm	19.5" x 19.5" x 17.1" 495 x 495 x 435 mm	18.3 lb 8.3 kg
SH1616-1111	16.0" x 16.0" x 22.4" 406 x 406 x 568 mm	11.4" 289 mm	11.0" 279 mm	19.5" x 19.5" x 24.2" 495 x 495 x 616 mm	22.3 lb 10.1 kg

*Tolerances of a molded part: +/- .030" + .005 in/in for every additional inch past 12"



2024 Case Sizing

MODEL	NOMINAL INTERIOR DIMENSION	BASE DEPTH*	LID DEPTH*	NOMINAL EXTERIOR DIMENSION	APPROX. WEIGHT
	L x W x D*			L x W x D*	
SH1812-0505	18.5" x 12.5" x 10.6" 470 x 318 x 270 mm	5.5" 140 mm	5.1" 130 mm	22.0" x 16.0" x 12.5" 559 x 406 x 318 mm	15.8 lb 7.2 kg
SH1812-0509	18.5" x 12.5" x 15.3" 470 x 318 x 389 mm	5.5" 140 mm	9.8" 249 mm	22.0" x 16.0" x 17.2" 559 x 406 x 437 mm	18.3 lb 8.3 kg
SH1812-1005	18.5" x 12.5" x 15.3" 470 x 318 x 389 mm	10.2" 259 mm	5.1" 130 mm	22.0" x 16.0" x 17.2" 559 x 406 x 437 mm	18.3 lb 8.3 kg
SH1812-1009	18.5" x 12.5" x 20.0" 470 x 318 x 508 mm	10.2" 259 mm	9.8" 249 mm	22.0" x 16.0" x 21.9" 559 x 406 x 555 mm	21.2 lb 9.6 kg
SH1814-0503	18.5" x 14.9" x 8.7" 469 x 378 x 220 mm	5.1" 129 mm	3.6" 91 mm	21.5" x 18.0" x 10.7" 546 x 457 x 271 mm	16.2 lb 7.4 kg
SH1814-0504	18.5" x 14.9" x 10.0" 469 x 378 x 253 mm	5.1" 129 mm	4.9" 124 mm	21.7" x 18.5" x 12.1" 551 x 469 x 307 mm	17.0 lb 7.7 kg
SH1818-0704	18.8" x 18.8" x 11.7" 477 x 477 x 296 mm	7.3" 185 mm	4.4" 111 mm	22.5" x 22.1" x 13.8" 571 x 561 x 350 mm	20.1 lb 9.1 kg
SH1818-1304	18.8" x 18.8" x 18.3" 477 x 477 x 464 mm	13.9" 353 mm	4.4" 111 mm	22.5" x 22.2" x 20.5" 571 x 563 x 520 mm	25.1 lb 11.4 kg
SH2013-0902	20.4" x 13.3" x 12.0" 518 x 337 x 304 mm	9.5" 241 mm	2.5" 63 mm	23.2" x 16.4" x 13.9" 589 x 416 x 353 mm	21.0 lb 9.5 kg
SH2016-0419	20.8" x 16.8" x 23.9" 528 x 426 x 606 mm	4.5" 114 mm	19.4" 492 mm	24.0" x 20.0" x 25.5" 609 x 508 x 647 mm	27.2 lb 12.4 kg
SH2016-1904	20.8" x 16.8" x 24.0" 528 x 426 x 608 mm	19.8" 502 mm	4.2" 106 mm	24.0" x 20.0" x 25.5" 609 x 508 x 647 mm	27.3 lb 12.4 kg
SH2016-1919	20.8" x 16.8" x 39.2" 528 x 426 x 994 mm	19.8" 502 mm	19.4" 492 mm	24.0" x 20.0" x 41.1" 609 x 508 x 1,043 mm	36.7 lb 16.7 kg
SH2216-0505	22.0" x 16.0" x 10.8" 558 x 406 x 274 mm	5.6" 143 mm	5.2" 131 mm	25.5" x 19.5" x 11.9" 647 x 495 x 302 mm	21.2 lb 9.6 kg
SH2216-0704	22.8" x 16.8" x 11.1" 579 x 426 x 281 mm	7.0" 177 mm	4.1" 104 mm	25.6" x 19.6" x 13.0" 650 x 497 x 330 mm	20.6 lb 9.3 kg
SH2216-1104	22.8" x 16.8" x 15.2" 579 x 426 x 385 mm	11.1" 281 mm	4.1" 104 mm	26.1" x 20.0" x 17.1" 662 x 508 x 434 mm	24.0 lb 10.9 kg
SH2216-1404	22.8" x 16.8" x 18.4" 579 x 426 x 467 mm	14.3" 363 mm	4.1" 104 mm	25.6" x 19.6" x 21.7" 650 x 497 x 551 mm	27.5 lb 12.5 kg
SH2216-1504	22.8" x 16.8" x 19.7" 579 x 426 x 500 mm	15.6" 396 mm	4.1" 104 mm	25.6" x 19.6" x 22.8" 650 x 497 x 579 mm	26.5 lb 12.0 kg
SH2221-0505	22.5" x 21.1" x 10.4" 572 x 535 x 264 mm	5.4" 137 mm	5.0" 127 mm	26.0" x 24.5" x 12.3" 660 x 623 x 311 mm	23.3 lb 10.5 kg
SH2221-0506	22.5" x 21.1" x 11.5" 572 x 535 x 292 mm	5.4" 137 mm	6.1" 155 mm	26.0" x 24.5" x 13.4" 660 x 623 x 340 mm	24.0 lb 10.9 kg
SH2221-0605	22.5" x 21.1" x 11.5" 572 x 535 x 292 mm	6.5" 165 mm	5.0" 127 mm	26.0" x 24.5" x 13.4" 660 x 623 x 340 mm	24.0 lb 10.9 kg

*Tolerances of a molded part: +/- .030" + .005 in/in for every additional inch past 12"



2024 Case Sizing

MODEL	NOMINAL INTERIOR DIMENSION	BASE DEPTH*	LID DEPTH*	NOMINAL EXTERIOR DIMENSION	APPROX. WEIGHT
	L x W x D*			L x W x D*	
SH2221-0606	22.5" x 21.1" x 12.6" 572 x 535 x 321 mm	6.5" 165 mm	6.1" 155 mm	26.0" x 24.5" x 14.5" 660 x 623 x 368 mm	24.8 lb 11.2 kg
SH2317-0903	23.0" x 17.0" x 12.8" 584 x 431 x 324 mm	9.3" 236 mm	3.5" 88 mm	25.8" x 19.8" x 16.0" 654 x 502 x 406 mm	24.2 lb 11.0 kg
SH2321-1104	23.1" x 21.6" x 16.4" 586 x 548 x 415 mm	11.8" 299 mm	4.6" 116 mm	26.4" x 24.4" x 18.5" 670 x 619 x 469 mm	28.5 lb 12.9 kg
SH2321-1111	23.1" x 21.6" x 23.6" 586 x 548 x 598 mm	11.8" 299 mm	11.8" 299 mm	26.4" x 24.4" x 25.8" 670 x 619 x 655 mm	34.7 lb 15.8 kg
SH2412-0504	24.1" x 12.0" x 10.0" 612 x 304 x 253 mm	5.2" 132 mm	4.8" 121 mm	27.7" x 15.5" x 11.9" 703 x 393 x 302 mm	17.7 lb 8.1 kg
SH2412-0509	24.1" x 12.0" x 15.0" 612 x 304 x 380 mm	5.2" 132 mm	9.8" 248 mm	27.7" x 15.5" x 16.9" 703 x 393 x 429 mm	21.0 lb 9.5 kg
SH2412-1004	24.1" x 12.0" x 15.0" 612 x 304 x 380 mm	10.2" 259 mm	4.8" 121 mm	27.7" x 15.5" x 16.9" 703 x 393 x 429 mm	20.5 lb 9.3 kg
SH2412-1009	24.1" x 12.0" x 20.0" 612 x 304 x 507 mm	10.2" 259 mm	9.8" 248 mm	27.7" x 15.5" x 21.9" 703 x 393 x 556 mm	24.2 lb 11.0 kg
SH2414-0415	24.2" x 14.2" x 20.1" 615 x 361 x 511 mm	4.5" 113 mm	15.7" 398 mm	27.7" x 17.7" x 22.0" 704 x 450 x 558 mm	25.5 lb 11.6 kg
SH2414-1604	24.2" x 14.2" x 20.1" 615 x 361 x 510 mm	16.1" 407 mm	4.1" 103 mm	27.7" x 17.7" x 22.0" 704 x 450 x 558 mm	25.5 lb 11.6 kg
SH2414-1615	24.2" x 14.2" x 31.7" 615 x 361 x 805 mm	16.1" 407 mm	15.7" 398 mm	27.7" x 17.7" x 33.6" 704 x 450 x 853 mm	33.0 lb 15.0 kg
SH2418-0504	24.5" x 18.2" x 10.0" 622 x 462 x 253 mm	5.2" 132 mm	4.8" 121 mm	27.7" x 21.4" x 15.9" 703 x 543 x 403 mm	21.5 lb 9.8 kg
SH2418-0509	24.5" x 18.2" x 15.0" 622 x 462 x 380 mm	5.2" 132 mm	9.8" 248 mm	27.7" x 21.4" x 16.9" 703 x 543 x 429 mm	25.5 lb 11.6 kg
SH2418-1004	24.2" x 18.2" x 15.0" 614 x 462 x 380 mm	10.2" 259 mm	4.8" 121 mm	27.7" x 21.4" x 16.9" 703 x 543 x 429 mm	24.7 lb 11.2 kg
SH2418-1009	24.2" x 18.2" x 20.0" 614 x 462 x 507 mm	10.2" 259 mm	9.8" 248 mm	27.7" x 21.4" x 21.9" 703 x 543 x 556 mm	28.7 lb 13.0 kg
SH2624-0505	26.0" x 24.0" x 11.0" 660 x 609 x 278 mm	5.7" 144 mm	5.3" 134 mm	29.5" x 27.5" x 12.9" 749 x 698 x 327 mm	27.5 lb 12.5 kg
SH2624-0510	26.0" x 24.0" x 16.0" 660 x 609 x 405 mm	5.7" 144 mm	10.3" 261 mm	29.5" x 27.5" x 17.9" 749 x 698 x 454 mm	31.5 lb 14.3 kg
SH2624-1005	26.0" x 24.0" x 16.0" 660 x 609 x 405 mm	10.7" 271 mm	5.3" 134 mm	29.5" x 27.5" x 17.9" 749 x 698 x 454 mm	31.5 lb 14.3 kg
SH2624-1010	26.0" x 24.0" x 21.0" 660 x 609 x 532 mm	10.7" 271 mm	10.3" 261 mm	29.5" x 27.5" x 22.9" 749 x 698 x 581 mm	35.7 lb 16.2 kg
SH2626-0906	26.0" x 26.0" x 15.8" 660 x 660 x 400 mm	9.8" 248 mm	6.0" 152 mm	29.5" x 29.5" x 17.8" 749 x 749 x 452 mm	29.7 lb 13.5 kg

*Tolerances of a molded part: +/- .030" + .005 in/in for every additional inch past 12"



2024 Case Sizing

MODEL	NOMINAL INTERIOR DIMENSION L x W x D*	BASE DEPTH*	LID DEPTH*	NOMINAL EXTERIOR DIMENSION L x W x D*	APPROX. WEIGHT
SH2626-2006	26.0" x 26.0" x 26.0" 660 x 660 x 660 mm	20.0" 508 mm	6.0" 152 mm	29.5" x 29.5" x 27.7" 749 x 749 x 703 mm	37.0 lb 16.8 kg
SH2723-0504	27.0" x 23.0" x 9.9" 685 x 584 x 250 mm	5.1" 129 mm	4.8" 121 mm	30.5" x 26.5" x 12.0" 774 x 673 x 304 mm	27.2 lb 12.4 kg
SH2723-0513	27.0" x 23.0" x 19.0" 685 x 584 x 482 mm	5.1" 129 mm	13.9" 353 mm	30.5" x 26.5" x 20.8" 774 x 673 x 528 mm	35.0 lb 15.9 kg
SH2723-1304	27.0" x 23.0" x 18.7" 685 x 584 x 474 mm	13.9" 353 mm	4.8" 121 mm	30.5" x 26.5" x 20.8" 774 x 673 x 528 mm	34.2 lb 15.5 kg
SH2723-1313	27.0" x 23.0" x 27.4" 685 x 584 x 695 mm	13.9" 353 mm	13.5" 342 mm	30.5" x 26.5" x 29.5" 774 x 673 x 749 mm	42.2 lb 19.2 kg
SH2727-0909	27.0" x 27.0" x 18.9" 686 x 686 x 480 mm	9.6" 244 mm	9.3" 236 mm	30.5" x 30.5" x 20.8" 775 x 775 x 528 mm	37.5 lb 17.0 kg
SH2727-0922	27.0" x 27.0" x 32.2" 686 x 686 x 818 mm	9.6" 244 mm	22.6" 574 mm	30.5" x 30.5" x 34.2" 775 x 775 x 869 mm	50.0 lb 22.7 kg
SH2727-2309	27.0" x 27.0" x 32.2" 686 x 686 x 818 mm	23.0" 584 mm	9.2" 234 mm	30.5" x 30.5" x 34.2" 775 x 775 x 869 mm	50.0 lb 22.7 kg
SH2727-2322	27.0" x 27.0" x 45.6" 686 x 686 x 1,158 mm	23.0" 584 mm	22.6" 574 mm	30.5" x 30.5" x 47.5" 775 x 775 x 1,207 mm	61.5 lb 27.9 kg
SH2808-0408	28.5" x 8.5" x 12.8" 723 x 215 x 324 mm	4.4" 111 mm	8.4" 213 mm	31.7" x 11.7" x 14.7" 805 x 297 x 373 mm	18.7 lb 8.5 kg
SH2808-0804	28.5" x 8.5" x 12.8" 723 x 215 x 324 mm	8.7" 220 mm	4.1" 104 mm	31.7" x 11.7" x 14.7" 805 x 297 x 373 mm	18.7 lb 8.5 kg
SH2808-0808	28.5" x 8.5" x 17.1" 723 x 215 x 433 mm	8.7" 220 mm	8.4" 213 mm	31.7" x 11.7" x 19.0" 805 x 297 x 482 mm	21.7 lb 9.9 kg
SH2818-0804	28.3" x 18.3" x 12.9" 719 x 465 x 327 mm	8.1" 206 mm	4.8" 121 mm	31.7" x 21.7" x 14.8" 805 x 551 x 375 mm	26.1 lb 11.9 kg
SH2818-0807	28.3" x 18.3" x 15.9" 719 x 465 x 403 mm	8.1" 206 mm	7.8" 197 mm	31.7" x 21.7" x 17.8" 805 x 551 x 451 mm	28.3 lb 12.8 kg
SH3016-0505	30.2" x 16.2" x 11.1" 767 x 411 x 281 mm	5.8" 147 mm	5.3" 134 mm	33.5" x 19.5" x 12.9" 850 x 495 x 327 mm	25.2 lb 11.5 kg
SH3016-0514	30.2" x 16.2" x 20.6" 767 x 411 x 522 mm	5.8" 147 mm	14.8" 375 mm	33.5" x 19.5" x 22.4" 850 x 495 x 568 mm	31.7 lb 14.4 kg
SH3016-1505	30.2" x 16.2" x 20.6" 767 x 411 x 522 mm	15.3" 388 mm	5.3" 134 mm	33.5" x 19.5" x 22.4" 850 x 495 x 568 mm	31.2 lb 14.2 kg
SH3016-1514	30.2" x 16.2" x 30.1" 767 x 411 x 763 mm	15.3" 388 mm	14.8" 375 mm	33.5" x 19.5" x 31.9" 850 x 495 x 810 mm	42.7 lb 19.4 kg
SH3018-0505	29.5" x 17.6" x 10.8" 749 x 447 x 274 mm	5.6" 142 mm	5.2" 132 mm	32.8" x 20.9" x 12.8" 833 x 530 x 325 mm	24.7 lb 11.2 kg
SH3018-0514	29.5" x 17.6" x 20.0" 749 x 447 x 507 mm	5.6" 142 mm	14.4" 365 mm	32.8" x 20.9" x 21.9" 833 x 530 x 556 mm	31.7 lb 14.4 kg

*Tolerances of a molded part: +/- .030" + .005 in/in for every additional inch past 12"



2024 Case Sizing

MODEL	NOMINAL INTERIOR DIMENSION	BASE DEPTH*	LID DEPTH*	NOMINAL EXTERIOR DIMENSION	APPROX. WEIGHT
	L x W x D*			L x W x D*	
SH3018-1405	29.5" x 17.6" x 20.0" 749 x 447 x 507 mm	14.8" 375 mm	5.2" 132 mm	32.8" x 20.9" x 21.9" 833 x 530 x 556 mm	31.2 lb 14.2 kg
SH3018-1414	29.5" x 17.6" x 29.2" 749 x 447 x 740 mm	14.8" 375 mm	14.4" 365 mm	32.8" x 20.9" x 31.0" 833 x 530 x 787 mm	38.7 lb 17.6 kg
SH3024-0504	30.3" x 24.3" x 10.0" 769 x 617 x 253 mm	5.2" 132 mm	4.8" 121 mm	33.5" x 27.5" x 11.9" 850 x 698 x 302 mm	30.0 lb 13.6 kg
SH3024-0514	30.3" x 24.3" x 20.0" 769 x 617 x 507 mm	5.2" 132 mm	14.8" 375 mm	33.5" x 27.5" x 21.9" 850 x 698 x 556 mm	38.2 lb 17.4 kg
SH3024-1504	30.3" x 24.3" x 20.0" 769 x 617 x 507 mm	15.2" 386 mm	4.8" 121 mm	33.5" x 27.5" x 21.9" 850 x 698 x 556 mm	38.2 lb 17.4 kg
SH3024-1514	30.3" x 24.3" x 30.0" 769 x 617 x 761 mm	15.2" 386 mm	14.8" 375 mm	33.5" x 27.5" x 31.9" 850 x 698 x 810 mm	48.0 lb 21.8 kg
SH3121-1404	31.0" x 21.0" x 18.6" 787 x 533 x 473 mm	14.8" 376 mm	4.6" 117 mm	34.6" x 24.6" x 21.8" 879 x 625 x 554 mm	37 lb 16.8 kg
SH3417-0504	34.2" x 17.2" x 10.0" 868 x 436 x 253 mm	5.2" 131 mm	4.8" 122 mm	37.7" x 21.4" x 11.9" 957 x 542 x 300 mm	27.0 lb 12.2 kg
SH3417-0509	34.2" x 17.2" x 15.0" 868 x 436 x 380 mm	5.2" 131 mm	9.8" 249 mm	37.7" x 21.4" x 16.9" 957 x 542 x 428 mm	31.2 lb 14.2 kg
SH3417-1004	34.2" x 17.2" x 15.0" 868 x 436 x 380 mm	10.2" 258 mm	4.8" 122 mm	37.7" x 21.4" x 16.9" 957 x 542 x 428 mm	31.2 lb 14.2 kg
SH3417-1009	34.2" x 17.2" x 20.0" 868 x 436 x 507 mm	10.2" 258 mm	9.8" 249 mm	37.7" x 21.4" x 21.9" 957 x 542 x 555 mm	36.5 lb 16.6 kg
SH3520-1710	35.9" x 19.9" x 27.6" 913 x 507 x 698 mm	17.4" 442 mm	10.1" 256 mm	39.5" x 23.5" x 29.0" 1,002 x 595 x 736 mm	44.5 lb 20.2 kg
SH3521-0703	35.3" x 21.6" x 11.2" 896 x 548 x 283 mm	7.4" 187 mm	3.8" 96 mm	39.0" x 24.9" x 13.3" 990 x 632 x 337 mm	35.2 lb 16.0 kg
SH3535-0807	35.0" x 35.0" x 15.8" 889 x 889 x 400 mm	8.1" 205 mm	7.7" 195 mm	39.0" x 39.0" x 17.9" 990 x 990 x 454 mm	52.2 lb 23.7 kg
SH3535-0819	35.0" x 35.0" x 27.9" 889 x 889 x 707 mm	8.1" 205 mm	19.8" 502 mm	39.0" x 39.0" x 29.9" 990 x 990 x 759 mm	65.5 lb 29.7 kg
SH3535-0823	35.0" x 35.0" x 31.9" 889 x 889 x 809 mm	8.1" 205 mm	23.8" 604 mm	39.0" x 39.0" x 33.9" 990 x 990 x 861 mm	70.0 lb 31.8 kg
SH3535-2007	35.0" x 35.0" x 27.9" 889 x 889 x 708 mm	20.2" 513 mm	7.7" 195 mm	39.0" x 39.0" x 29.9" 990 x 990 x 759 mm	65.5 lb 29.7 kg
SH3535-2019	35.0" x 35.0" x 40.0" 889 x 889 x 1,015 mm	20.2" 513 mm	19.8" 502 mm	39.0" x 39.0" x 42.0" 990 x 990 x 1,066 mm	79.0 lb 35.8 kg
SH3535-2023	35.0" x 35.0" x 44.0" 889 x 889 x 1,117 mm	20.2" 513 mm	23.8" 604 mm	39.0" x 39.0" x 46.0" 990 x 990 x 1,168 mm	83.2 lb 37.8 kg
SH3535-2407	35.0" x 35.0" x 31.9" 889 x 889 x 809 mm	24.2" 614 mm	7.7" 195 mm	39.0" x 39.0" x 33.9" 990 x 990 x 861 mm	70.0 lb 31.8 kg

*Tolerances of a molded part: +/- .030" + .005 in/in for every additional inch past 12"



Gemstar Cases are proudly made in America.

800-533-3631 | Gemstarmfg.com

Version 4.0 Jan 2024

© 2024 Gemstar Manufacturing

2024 Case Sizing

MODEL	NOMINAL INTERIOR DIMENSION L x W x D*	BASE DEPTH*	LID DEPTH*	NOMINAL EXTERIOR DIMENSION L x W x D*	APPROX. WEIGHT
SH3535-2419	35.0" x 35.0" x 44.0" 889 x 889 x 1,116 mm	24.2" 614 mm	19.8" 502 mm	39.0" x 39.0" x 46.0" 990 x 990 x 1,168 mm	83.5 lb 37.9 kg
SH3535-2423	35.0" x 35.0" x 48.0" 889 x 889 x 1,218 mm	24.2" 614 mm	23.8" 604 mm	39.0" x 39.0" x 50.0" 990 x 990 x 1,270 mm	87.7 lb 39.8 kg
SH3714-0502	37.4" x 14.1" x 7.9" 949 x 358 x 200 mm	5.4" 137 mm	2.5" 63 mm	40.4" x 17.3" x 10.1" 1,026 x 439 x 256 mm	27.0 lb 12.2 kg
SH3714-0505	37.4" x 14.1" x 10.4" 949 x 358 x 264 mm	5.4" 137 mm	5.0" 127 mm	40.4" x 17.3" x 12.8" 1,026 x 439 x 325 mm	28.5 lb 12.9 kg
SH4120-0303	41.0" x 20.8" x 6.6" 1,041 x 530 x 166 mm	3.5" 88 mm	3.1" 78 mm	44.5" x 24.4" x 13.0" 1,130 x 619 x 330 mm	36.5 lb 16.6 kg
SH4120-0306	41.0" x 20.8" x 10.4" 1,041 x 530 x 263 mm	3.5" 88 mm	6.9" 175 mm	44.5" x 24.4" x 16.0" 1,130 x 619 x 406 mm	40.7 lb 18.5 kg
SH4120-0703	41.0" x 20.8" x 10.4" 1,041 x 530 x 263 mm	7.3" 185 mm	3.1" 78 mm	44.5" x 24.4" x 16.0" 1,130 x 619 x 406 mm	39.5 lb 17.9 kg
SH4120-0706	41.0" x 20.8" x 14.1" 1,041 x 530 x 358 mm	7.3" 184 mm	6.9" 174 mm	44.5" x 24.4" x 19.0" 1,130 x 619 x 482 mm	45.0 lb 20.4 kg
SH4225-0505	42.8" x 25.8" x 11.0" 1,087 x 655 x 278 mm	5.7" 144 mm	5.3" 134 mm	46.8" x 29.8" x 12.8" 1,188 x 756 x 325 mm	42.0 lb 19.1 kg
SH4225-0510	42.8" x 25.8" x 16.0" 1,087 x 655 x 405 mm	5.7" 144 mm	10.3" 261 mm	46.8" x 29.8" x 17.8" 1,188 x 756 x 452 mm	48.0 lb 21.8 kg
SH4225-0515	42.8" x 25.8" x 21.0" 1,087 x 655 x 532 mm	5.7" 144 mm	15.3" 388 mm	46.8" x 29.8" x 22.9" 1,188 x 756 x 581 mm	54.0 lb 24.5 kg
SH4225-1005	42.8" x 25.8" x 16.0" 1,087 x 655 x 405 mm	10.7" 271 mm	5.3" 134 mm	46.8" x 29.8" x 17.9" 1,188 x 756 x 454 mm	47.7 lb 21.7 kg
SH4225-1010	42.8" x 25.8" x 21.0" 1,087 x 655 x 532 mm	10.7" 271 mm	10.3" 261 mm	46.8" x 29.8" x 22.9" 1,188 x 756 x 581 mm	54.2 lb 24.6 kg
SH4225-1015	42.8" x 25.8" x 26.0" 1,087 x 655 x 659 mm	10.7" 271 mm	15.3" 388 mm	46.8" x 29.8" x 27.9" 1,188 x 756 x 708 mm	60.7 lb 27.6 kg
SH4225-1505	42.8" x 25.8" x 21.0" 1,087 x 655 x 532 mm	15.7" 398 mm	5.3" 134 mm	46.8" x 29.8" x 22.9" 1,188 x 756 x 581 mm	53.0 lb 24.0 kg
SH4225-1510	42.8" x 25.8" x 26.0" 1,087 x 655 x 659 mm	15.7" 398 mm	10.3" 261 mm	46.8" x 29.8" x 27.9" 1,188 x 756 x 708 mm	61.0 lb 27.7 kg
SH4225-1515	42.8" x 25.8" x 31.0" 1,087 x 655 x 786 mm	15.7" 398 mm	15.3" 388 mm	46.8" x 29.8" x 32.9" 1,188 x 756 x 835 mm	66.0 lb 29.9 kg
SH4238-1703	42.2" x 38.2" x 20.3" 1,072 x 970 x 516 mm	17.2" 437 mm	3.1" 79 mm	45.7" x 41.7" x 24.3" 1,161 x 1,059 x 617 mm	67.5 lb 30.6 kg
SH4238-1716	42.2" x 38.2" x 34.1" 1,072 x 970 x 866 mm	17.2" 437 mm	16.9" 429 mm	45.7" x 41.7" x 38.0" 1,161 x 1,059 x 965 mm	85.2 lb 38.6 kg
SH4532-0605	45.0" x 32.0" x 11.6" 1,143 x 812 x 294 mm	6.0" 152 mm	5.6" 142 mm	48.5" x 35.5" x 16.5" 1,231 x 901 x 419 mm	55.2 lb 25.1 kg

*Tolerances of a molded part: +/- .030" + .005 in/in for every additional inch past 12"



2024 Case Sizing

MODEL	NOMINAL INTERIOR DIMENSION L x W x D*	BASE DEPTH*	LID DEPTH*	NOMINAL EXTERIOR DIMENSION L x W x D*	APPROX. WEIGHT
SH4532-0615	45.0" x 32.0" x 21.1" 1,143 x 812 x 536 mm	6.0" 152 mm	15.1" 384 mm	48.5" x 35.5" x 26.0" 1,231 x 901 x 660 mm	66.7 lb 30.3 kg
SH4532-1505	45.0" x 32.0" x 21.1" 1,143 x 812 x 535 mm	15.5" 393 mm	5.6" 142 mm	48.5" x 35.5" x 26.0" 1,231 x 901 x 660 mm	66.2 lb 30.1 kg
SH4532-1515	45.0" x 32.0" x 30.6" 1,143 x 812 x 777 mm	15.5" 393 mm	15.1" 384 mm	48.5" x 35.5" x 34.9" 1,231 x 901 x 885 mm	77.0 lb 34.9 kg
SH4824-0808	48.6" x 24.6" x 16.7" 1,235 x 625 x 423 mm	8.5" 217 mm	8.1" 207 mm	52.1" x 28.1" x 21.6" 1,324 x 714 x 548 mm	54.0 lb 24.5 kg
SH4824-0813	48.6" x 24.6" x 22.0" 1,235 x 625 x 558 mm	8.5" 217 mm	13.4" 341 mm	52.1" x 28.1" x 26.9" 1,324 x 714 x 683 mm	60.0 lb 27.2 kg
SH4824-1308	48.6" x 24.6" x 22.0" 1,235 x 625 x 558 mm	13.8" 351 mm	8.1" 207 mm	52.1" x 28.1" x 26.9" 1,324 x 714 x 683 mm	60.0 lb 27.2 kg
SH4824-1313	48.6" x 24.6" x 27.3" 1,235 x 625 x 692 mm	13.8" 351 mm	13.4" 341 mm	52.1" x 28.1" x 32.1" 1,324 x 714 x 816 mm	66.0 lb 29.9 kg
SH5040-1203	50.0" x 40.0" x 16.0" 1,270 x 1,016 x 406 mm	12.2" 310 mm	3.8" 97 mm	53.5" x 43.5" x 19.5" 1,358 x 1,104 x 495 mm	75.3 lb 34.1 kg
SH5217-0707	52.3" x 17.1" x 14.0" 1,328 x 434 x 354 mm	7.0" 177 mm	7.0" 177 mm	56.8" x 20.1" x 16.4" 1,442 x 510 x 416 mm	44.0 lb 20.0 kg
SH5545-0822	55.5" x 45.5" x 31.1" 1,410 x 1,156 x 789 mm	8.3" 210 mm	22.8" 579 mm	59.0" x 49.0" x 34.5" 1,499 x 1,245 x 876 mm	113.5 lb 51.5 kg
SH5545-2322	55.5" x 45.5" x 45.8" 1,410 x 1,156 x 1,163 mm	23.0" 584 mm	22.8" 579 mm	59.0" x 49.0" x 49.3" 1,499 x 1,244 x 1,252 mm	136.0 lb 61.7 kg
SH5841-0706	58.3" x 41.3" x 13.8" 1,480 x 1,049 x 350 mm	7.1" 180 mm	6.7" 170 mm	61.5" x 44.5" x 15.8" 1,562 x 1,130 x 400 mm	71.5 lb 32.4 kg
SH5841-0709	58.3" x 41.3" x 16.2" 1,480 x 1,049 x 411 mm	7.1" 180 mm	9.1" 231 mm	61.5" x 44.5" x 18.4" 1,562 x 1,130 x 467 mm	75.2 lb 34.1 kg
SH5841-0906	58.3" x 41.3" x 16.4" 1,480 x 1,049 x 416 mm	9.7" 246 mm	6.7" 170 mm	61.5" x 44.5" x 18.4" 1,562 x 1,130 x 467 mm	75.2 lb 34.1 kg
SH5841-0909	58.3" x 41.3" x 18.8" 1,480 x 1,049 x 477 mm	9.7" 246 mm	9.1" 231 mm	61.5" x 44.5" x 20.8" 1,562 x 1,130 x 527 mm	79.0 lb 35.8 kg
SH5935-0713	59.0" x 35.0" x 21.9" 1,498 x 889 x 601 mm	8.1" 206 mm	13.8" 351	63.0" x 39.0" x 25.6" 1,600 x 990 x 650 mm	76 lb 34.5 kg
SH6012-1005	60.0" x 12.0" x 15.5" 1,524 x 304 x 392 mm	10.2" 258 mm	5.3" 134 mm	63.5" x 15.5" x 17.5" 1,612 x 393 x 444 mm	41.5 lb 18.8 kg
SH6018-1005	60.0" x 18.0" x 15.5" 1,524 x 457 x 392 mm	10.2" 258 mm	5.3" 134 mm	63.5" x 21.5" x 18.0" 1,612 x 546 x 457 mm	50.7 lb 23.0 kg
SH6024-0909	60.3" x 24.3" x 19.4" 1,531 x 617 x 491 mm	9.6" 243 mm	9.8" 248 mm	63.8" x 27.8" x 22.9" 1,620 x 706 x 581 mm	68.5 lb 31.1 kg
SH8114-0505	81.5" x 14.0" x 10.8" 2,070 x 355 x 272 mm	5.1" 130 mm	5.6" 142 mm	85.0" x 17.5" x 12.8" 2,158 x 443 x 323 mm	52.0 lb 23.6 kg

*Tolerances of a molded part: +/- .030" + .005 in/in for every additional inch past 12"

